



**Installation:** hazardous areas - Zone 1 / 2 (Gases) - Zone 21 / 22 (Dusts)  
**Classification:** Group II - Category 2G 2D

# ESX



ESX



GOST-R  
RTR Ex Proof



	JUNCTION BOX		
	ATEX 94/9/EC	GOST-R (RTR / RTN)	GOST-K
<b>EXECUTION</b>	Ⓢ II 2 G Ex e II T5 Ⓢ II 2 G Ex e [ia] IIB/IIC T5 Ⓢ II 2 D Ex tD A21 T100°C	2Ex e II T5 X, 0Ex ia IIB/IIC T4...T6 X, 2Ex e [ia] IIB/IIC T4, T5 X DIP A21 Ta 100°C	2Ex e II T5 X, 0Ex ia IIB/IIC T4...T6 X, 2Ex e [ia] IIB/IIC T4, T5 X DIP A21 Ta 100°C
<b>AMBIENT TEMPERATURE</b>	-50°C ÷ +175°C	-50°C ÷ +175°C	-50°C ÷ +175°C
<b>PROTECTION DEGREE</b>	IP66	IP66	IP66
<b>CERTIFICATE REF.</b>	INERIS 02 ATEX 0067X	POCC IT. ГБ05.В02537	No. 07/43-269
<b>RULES OF COMPLIANCE</b>	EN 60079-0; EN 60079-7; EN 60079-11; 61241-1	ГОСТ Р 51330.9-99 (МЭК 60079-10-95) ГОСТ Р 51330.13-99 (МЭК 60079-14-96) ГОСТ Р МЭК 61241-3-99	ГОСТ Р 51330.0 / 1 / 8 / 14-99 ГОСТ Р МЭК 61241-1-1-2002

### Mechanical characteristics

Body	stainless steel AISI-316L - th. 1,5mm
Cover	stainless steel AISI-316L - th. 1,5mm
Screws	stainless steel AISI 316L
Internal plate	stainless steel AISI-316L - th. 1,5mm
Gasket	silicon rubber

### ON REQUEST ACCESSORIES:

- External epoxy painting with colour on request
- Internal anticondensate painting orange RAL-2004
- Drain and breather valves
- Removable flanges on side walls (see identification table)

# ESX Technical Features

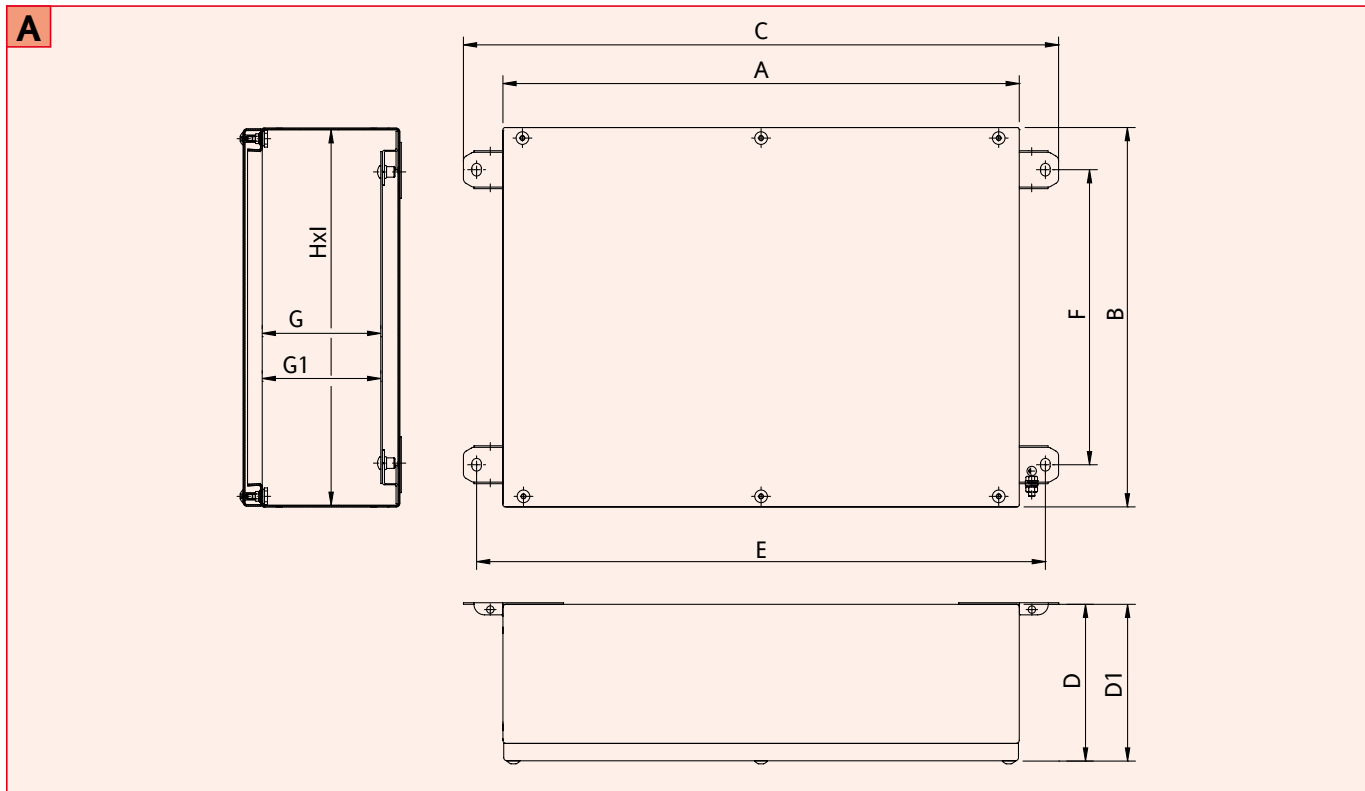
ESX

CODE	A [mm]	B [mm]	C [mm]	D [mm]	D1 [mm]	E [mm]	F [mm]	G [mm]	*G1 [mm]	H [mm]	I [mm]	INT.PLATE X-Y [mm]	WEIGHT [Kg]	DETAIL
ESX-1313	130	130	205	-	88	180	53	-	53	127	127	80-80	1,00	A
ESX-1717	170	170	245	-	88	220	90	-	53	167	167	128-128	2,00	A
ESX-2212	220	120	295	-	88	270	50	-	53	217	117	178-78	2,50	A
ESX-2216(1)	220	165	295	148	88	270	85	113	53	217	162	178-118	3,00	A
ESX-2222(1)	220	220	295	148	88	270	140	113	53	217	217	170-170	4,00	A
ESX-3322(1)	330	220	405	148	108	380	140	113	73	327	217	280-170	5,00	A
ESX-3333(1)	330	330	405	148	108	380	250	113	73	327	327	280-280	6,80	A
ESX-4422	440	220	515	148	-	490	140	113	-	437	217	398-178	7,00	A
ESX-4433	440	330	515	148	-	490	250	113	-	437	327	390-290	8,50	A
ESX-4936	490	360	560	148	-	534	280	113	-	487	357	440-315	9,50	A
ESX-5242(1)	520	420	595	242	148	570	340	206	113	517	417	470-370	12,00	A
ESX-6348	630	480	705	-	148	680	400	113	-	627	477	580-430	16,00	A
ESX-7440(1)	745	400	820	227	148	795	320	191	113	742	397	695-350	18,00	A

(1) ENCLOSURE DEEP: A = HIGH (see column D) - B = LOW (see column D1)

SAMPLE: ESX-2222A = ENCLOSURE DIM. 220x220x148 mm / ESX-2216B = ENCLOSURE DIM. 220x165x88 mm

## Reference Details



## ESX Flanges (gland plates) identification table

### Standard availability in stock for enclosures without flanges

Please refer to below diagram to define quantity and position of side walls flanges

FC = flange on short side enclosure    FL = Flange On Long Side Enclosure

Number 1 or 2 placed before sentence FC or FL define flange quantities. ATTENTION: on each enclosure side wall is allowed one single flange only

Example:

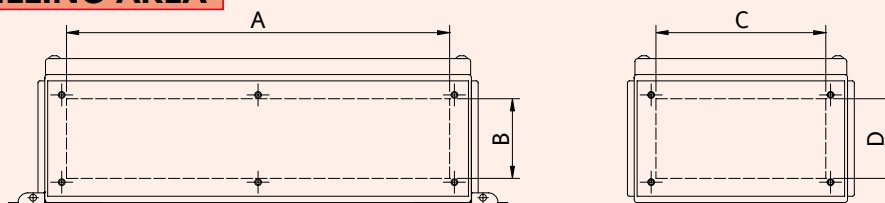
ESX-3322A-1FC-2FL= Enclosure Dim. 330x220x148mm with 1 flange only on 1 short side + 2 flanges one on each long side

ESX-5242A-2FC-2FL= enclosure Dim. 520x420x242mm with 2 flanges one on each short side + 2 flanges one on each long side

## ESX Removable flanges drilling layout

ENCLOSURE CODE	DRILLING AREA A-B [mm]	QUANTITY ALLOWED ENTRIES FOR SIZE (from 1 to size 8)								DRILLING AREA C-D [mm]	QUANTITY ALLOWED ENTRIES FOR SIZE (from 1 to size 8)							
		1	2	3	4	5	6	7	8		1	2	3	4	5	6	7	8
ESX-2216A	180 - 85	8	5	4	3	2	2	1	/	125 - 85	6	3	2	2	1	1	1	/
ESX-2222A	180 - 85	8	5	4	3	2	2	1	/	180 - 85	8	5	4	3	2	2	1	/
ESX-3322A	290 - 85	12	8	7	4	4	3	3	/	180 - 85	8	5	4	3	2	2	1	/
ESX-3333A	290 - 85	12	8	7	4	4	3	3	/	290 - 85	12	8	7	4	4	3	3	/
ESX-4422	400 - 85	16	11	9	7	6	5	4	/	290 - 85	12	8	7	4	4	3	3	/
ESX-4433	400 - 85	16	11	9	7	6	5	4	/	290 - 85	12	8	7	4	4	3	3	/
ESX-4936	450 - 85	18	13	11	8	6	5	4	/	320 - 85	14	9	7	5	4	3	3	/
ESX-5242B	480 - 85	20	14	11	8	7	6	4	/	380 - 85	16	11	9	7	5	4	3	/
ESX-5242A	480 - 178	40	28	22	16	14	12	8	4	380 - 178	32	22	18	14	10	8	6	3
ESX-6348	590 - 85	24	17	14	10	9	7	5	/	440 - 85	18	13	10	8	6	5	4	/
ESX-7440B	705 - 85	30	21	17	13	10	8	6	/	360 - 85	14	10	8	6	5	4	3	/
ESX-7440A	705 - 163	53	38	34	26	20	14	9	6	360 163	25	18	16	12	10	8	4	3

### FLANGES DRILLING AREA

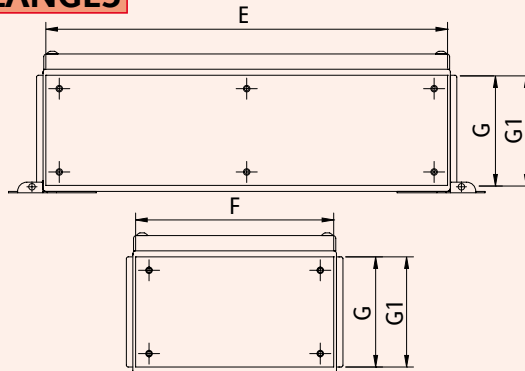


### ESX Removable flanges dimensions

CODE	E [mm]	F [mm]	G [mm]	G1 [mm]
ESX-2216	214	159	/	119
ESX-2222	214	214	/	119
ESX-3322	324	214	/	119
ESX-3333	324	324	/	119
ESX-4422	434	214	/	119
ESX-4433	434	324	/	119
ESX-4936	484	359	/	119
ESX-5242(1)	514	414	212,5	119
ESX-6348	624	474	/	119
ESX-7440(1)	739	394	197,5	119

#### Reference Details

### FLANGES



(1) ENCLOSURE DEEP: A = HIGH (see column C) - B = LOW (see column C1) / SAMPLE: ESX-5242A = ENCLOSURE DIM. 520x420x242 mm

### ESX Indicative quantity of terminals and relevant section

CODE ENCLOSURE	SECT. 2,5 [mm/sq]	SECT. 6,0 [mm/sq]	SECT. 10,0 [mm/sq]	SECT. 16,0 [mm/sq]	SECT. 35,0 [mm/sq]	SECT. 50,0 [mm/sq]	SECT. 70,0 [mm/sq]	SECT. 240,0 [mm/sq]	INT.PLATE X - Y [mm]
ESX-1313	3 x 1	3 x 1	2 x 1	2 x 1	2 x 1	1 x 1	1 x 1	/	80 - 80
ESX-1717	20 x 1	10 x 1	10 x 1	6 x 1	6 x 1	4 x 1	2 x 1	1 x 1	128 - 128
ESX-2212	28 x 1	16 x 1	12 x 1	10 x 1	8 x 1	6 x 1	4 x 1	/	178 - 78
ESX-2216(1)	30 x 1	18 x 1	14 x 1	10 x 1	8 x 1	3 x 1	2 x 1	1 x 1	178 - 118
ESX-2222(1)	20 x 1	14 x 1	10 x 1	8 x 1	6 x 1	6 x 1	4 x 1	2 x 1	170 - 170
ESX-3322(1)	46 x 1	26 x 1	22 x 1	18 x 1	14 x 1	10 x 1	6 x 1	2 x 1	280 - 170
ESX-3333(1)	48 x 2	28 x 2	24 x 2	20 x 2	12 x 2	10 x 2	8 x 1	4 x 1	280 - 280
ESX-4422	70 x 1	44 x 1	34 x 1	30 x 1	22 x 1	18 x 1	14 x 1	6 x 1	398 - 178
ESX-4433	60 x 2	40 x 2	32 x 2	26 x 2	20 x 2	14 x 2	10 x 1	4 x 1	390 - 290
ESX-4936	70 x 2	44 x 2	36 x 2	30 x 2	22 x 2	18 x 2	14 x 1	8 x 1	440 - 315
ESX-5242(1)	70 x 3	44 x 3	34 x 13	30 x 3	22 x 3	18 x 2	14 x 1	6 x 1	470 - 370
ESX-6348	100 x 3	60 x 3	50 x 3	40 x 3	30 x 3	26 x 3	20 x 2	10 x 1	580 - 430
ESX-7440(1)	120 x 3	76 x 3	60 x 3	50 x 3	34 x 3	30 x 2	24 x 1	12 x 1	695 - 350

(1) ENCLOSURE DEEP: A = HIGH - B = LOW (see Technical Feature table)

# ESX Body Enclosures Drilling Layout

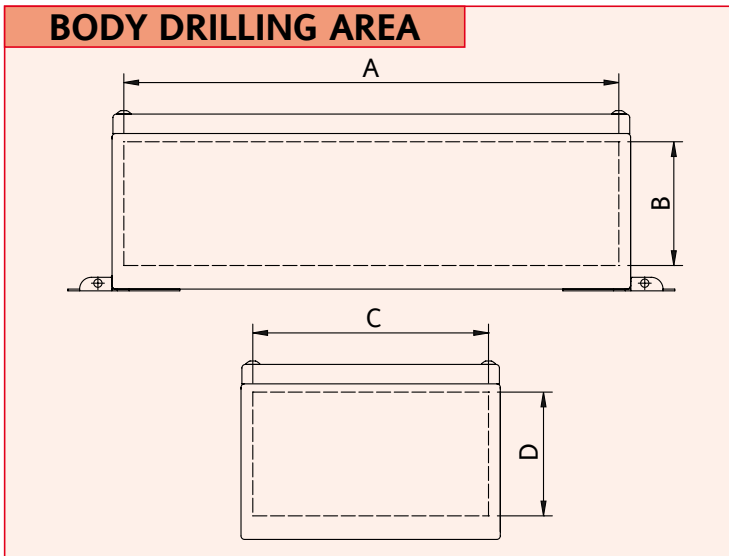
ESX

ENCLOSURE CODE	DRILLING AREA A-B [mm]	QUANTITY ALLOWED ENTRIES FOR SIZE (from 1 to size 8)								DRILLING AREA C-D [mm]	QUANTITY ALLOWED ENTRIES FOR SIZE (from 1 to size 8)							
		1	2	3	4	5	6	7	8		1	2	3	4	5	6	7	8
ESX-1313	117 - 44	2	2	/	/	/	/	/	/	117 - 44	2	2	/	/	/	/	/	/
ESX-1717	160 - 44	3	3	/	/	/	/	/	/	160 - 44	3	3	/	/	/	/	/	/
ESX-2212	210 - 44	4	4	/	/	/	/	/	/	110 - 44	2	2	/	/	/	/	/	/
ESX-2216B	210 - 44	4	4	/	/	/	/	/	/	155 - 44	3	3	/	/	/	/	/	/
ESX-2216A	210 - 100	8	8	6	5	3	2	2	1	155 - 100	6	6	4	3	2	2	1	1
ESX-2222B	210 - 44	4	4	/	/	/	/	/	/	210 - 44	4	4	/	/	/	/	/	/
ESX-2222A	210 - 100	8	8	6	5	3	2	2	1	210 - 100	8	8	6	5	3	2	2	1
ESX-3322B	320 - 64	9	6	5	5	4	/	/	/	210 - 64	6	4	3	3	2	/	/	/
ESX-3322A	320 - 100	12	12	10	8	4	4	3	2	210 - 100	8	8	6	5	3	2	2	1
ESX-3333B	320 - 64	9	6	5	5	4	/	/	/	320 - 64	9	6	5	5	4	/	/	/
ESX-3333A	320 - 100	12	12	10	8	4	4	3	2	320 - 100	12	12	10	8	4	4	3	2
ESX-4422	430 - 100	16	16	14	11	7	5	4	3	210 - 100	8	8	6	5	3	2	2	1
ESX-4433	430 - 100	16	16	14	11	7	5	4	3	320 - 100	12	12	10	8	4	4	3	2
ESX-4936	480 - 100	20	18	15	12	8	6	4	4	350 - 100	14	14	10	8	5	4	3	3
ESX-5242B	510 - 100	22	18	16	13	8	6	5	4	410 - 100	18	14	13	10	7	5	4	3
ESX-5242A	510 - 195	44	27	24	21	16	14	10	5	410 - 195	36	21	18	15	12	11	8	4
ESX-6348	620 - 100	29	22	20	16	10	7	6	5	470 - 100	21	16	15	12	7	5	4	3
ESX-7440B	735 - 100	33	26	24	18	12	9	7	5	390 - 100	18	14	12	9	6	4	3	3
ESX-7440A	735 - 180	55	43	38	33	20	18	14	7	390 - 180	30	23	20	15	9	8	6	3

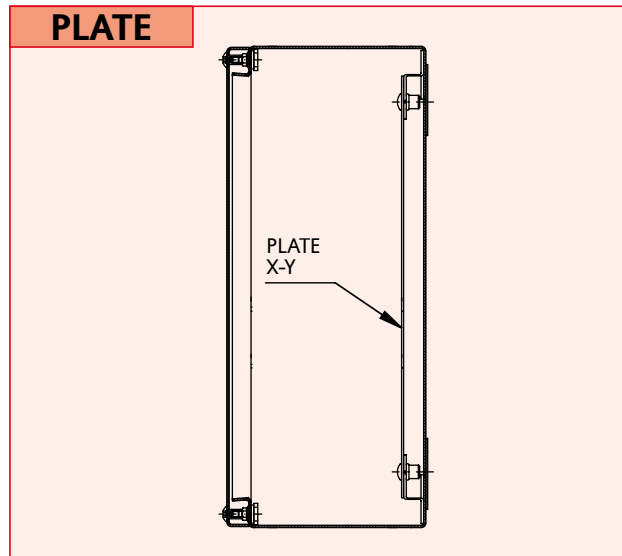
## ESX Threads comparison table

SIZE	UNI 6125	ISO 228/1	ASA B2.1	ISO 965/I
1	GK 1/2"	G 1/2"	1/2" NPT	M20
2	GK 3/4"	G 3/4"	3/4" NPT	M25
3	GK 1"	G 1"	1" NPT	M32
4	GK 1-1/4"	G 1-1/4"	1-1/4" NPT	M40
5	GK 1-1/2"	G 1-1/2"	1-1/2" NPT	M50
6	GK 2"	G 2"	2" NPT	M63
7	GK 2-1/2"	G 2-1/2"	2-1/2" NPT	M75
8	GK 3"	G 3"	3" NPT	M85

### Reference Details



### Reference Details



**REMARK:** Due to the development of the national and international specifications and of the technology, the above technical characteristics showed on this bulletin can be considered as binding on our confirmation only.